

SMD Wirewound Power Inductors - SDB0605 SERIES

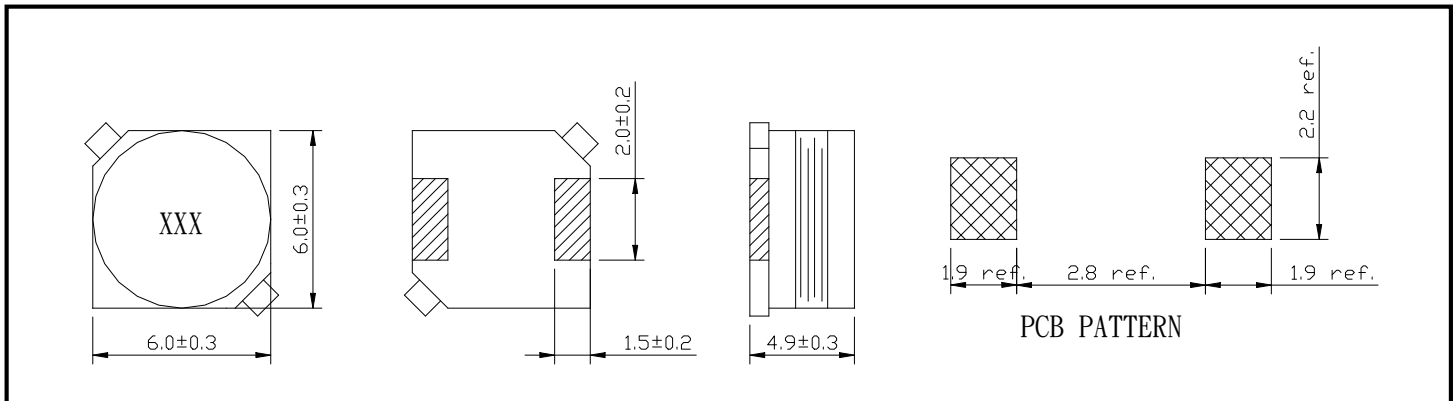


PART NUMBERING SYSTEM

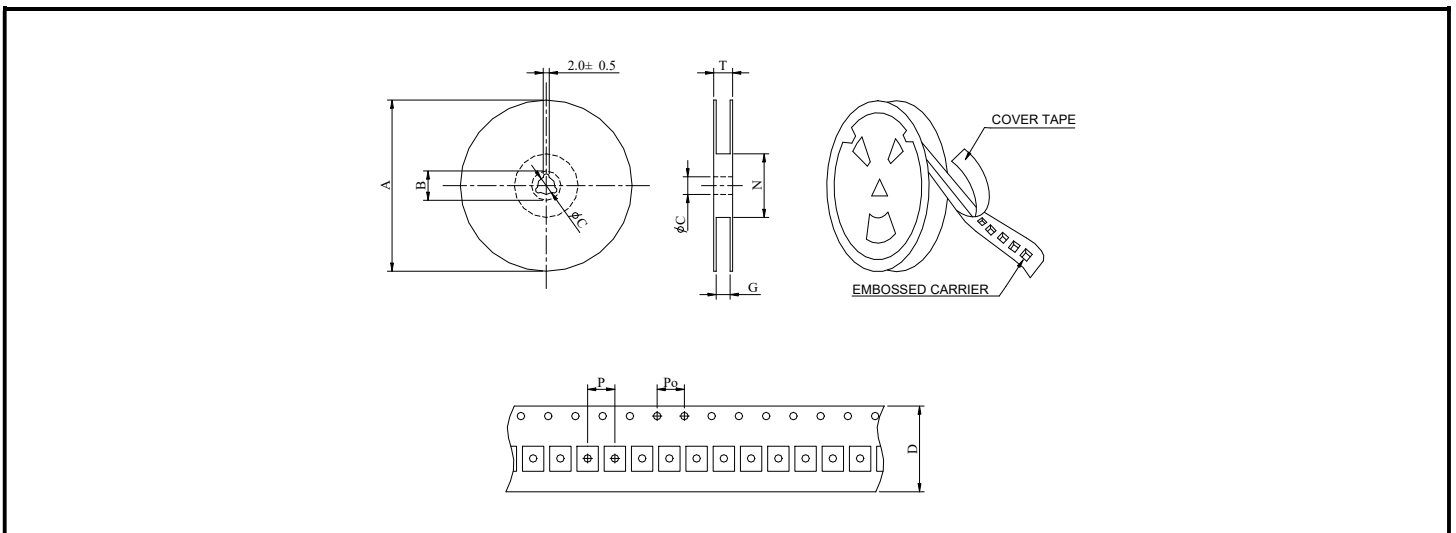
SDB	0605	—	150M	—	LF
TYPE	DIMENSIONS		INDUCTANCE		LEAD FREE

SHAPES AND DIMENSIONS

UNIT : mm



PACKAGING SPECIFICATION



SERIES	STAYLE	Q'TY (PCS)	DIMENSIONS (m/m)								
			A	B±0.8	C±0.5	D	G ⁺⁰	N ⁰	P	Po	T
SDB0605	13-16	1000	330	21	13	16	18	50	12	4	22.4

SPECIFICATION TABLE

PART NUMBER	INDUCTANCE (μ H)	DCR (Ω) (Max.)	IDC (A) (Max.)	TEST FREQ. (Freq.)
SDB0605-1R2M-LF	1.2 \pm 20%	0.028	3.50	100KHz
SDB0605-1R5M-LF	1.5 \pm 20%	0.030	3.00	100KHz
SDB0605-2R2M-LF	2.2 \pm 20%	0.035	2.70	100KHz
SDB0605-3R3M-LF	3.3 \pm 20%	0.042	2.50	100KHz
SDB0605-4R7M-LF	4.7 \pm 20%	0.050	2.20	100KHz
SDB0605-6R8M-LF	6.8 \pm 20%	0.060	2.00	100KHz
SDB0605-100M-LF	10 \pm 20%	0.070	1.80	100KHz
SDB0605-120M-LF	12 \pm 20%	0.080	1.60	100KHz
SDB0605-150M-LF	15 \pm 20%	0.090	1.50	100KHz
SDB0605-180M-LF	18 \pm 20%	0.095	1.30	100KHz
SDB0605-220M-LF	22 \pm 20%	0.110	1.20	100KHz
SDB0605-270M-LF	27 \pm 20%	0.130	1.10	100KHz
SDB0605-330M-LF	33 \pm 20%	0.180	1.00	100KHz
SDB0605-390M-LF	39 \pm 20%	0.210	0.90	100KHz
SDB0605-470M-LF	47 \pm 20%	0.220	0.80	100KHz
SDB0605-560M-LF	56 \pm 20%	0.250	0.75	100KHz
SDB0605-680M-LF	68 \pm 20%	0.300	0.70	100KHz
SDB0605-820M-LF	82 \pm 20%	0.390	0.60	100KHz
SDB0605-101M-LF	100 \pm 20%	0.430	0.55	100KHz
SDB0605-121M-LF	120 \pm 20%	0.500	0.50	100KHz
SDB0605-151M-LF	150 \pm 20%	0.620	0.45	100KHz
SDB0605-181M-LF	180 \pm 20%	0.690	0.40	100KHz
SDB0605-221M-LF	220 \pm 20%	0.890	0.38	100KHz
SDB0605-271M-LF	270 \pm 20%	1.000	0.35	100KHz
SDB0605-331M-LF	330 \pm 20%	1.400	0.32	100KHz
SDB0605-391M-LF	390 \pm 20%	1.500	0.30	100KHz
SDB0605-471M-LF	470 \pm 20%	2.000	0.28	100KHz
SDB0605-561M-LF	560 \pm 20%	2.300	0.25	100KHz
SDB0605-681M-LF	680 \pm 20%	3.200	0.20	100KHz
SDB0605-821M-LF	820 \pm 20%	3.500	0.18	100KHz
SDB0605-102M-LF	1000 \pm 20%	4.100	0.16	100KHz

- DC current at which the inductance drops 10% (typ) from its value without current.
- Operating temperature range -40°C to +125°C ,
- Electrical specifications at 25°C.
- Product comply with RoHS and REACH requirements
- Halogen free available
- Moisture sensitivity Level 1 (MSL 1)
- Custom versions available
- Flat top for reliable surface mounting